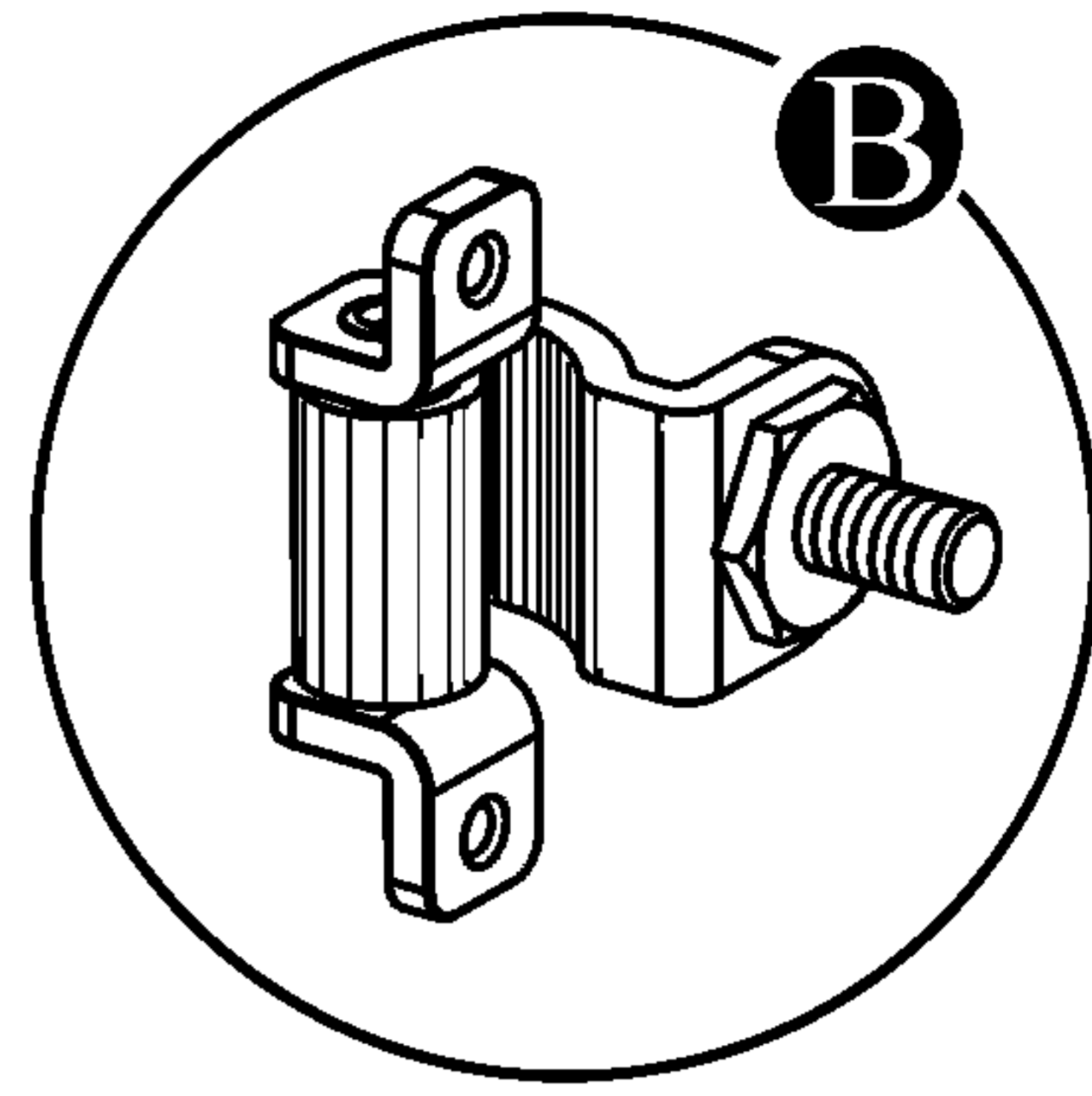
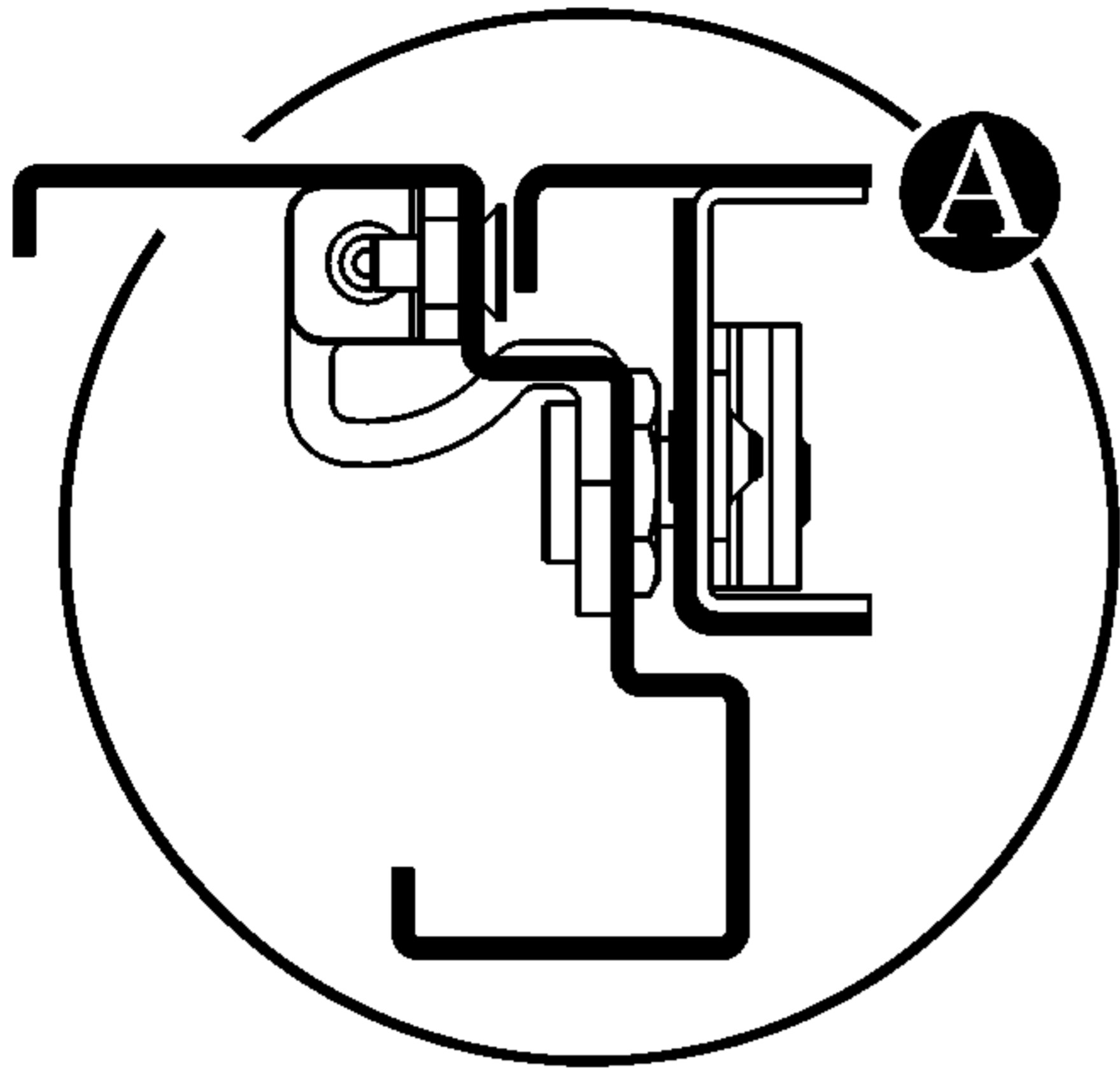
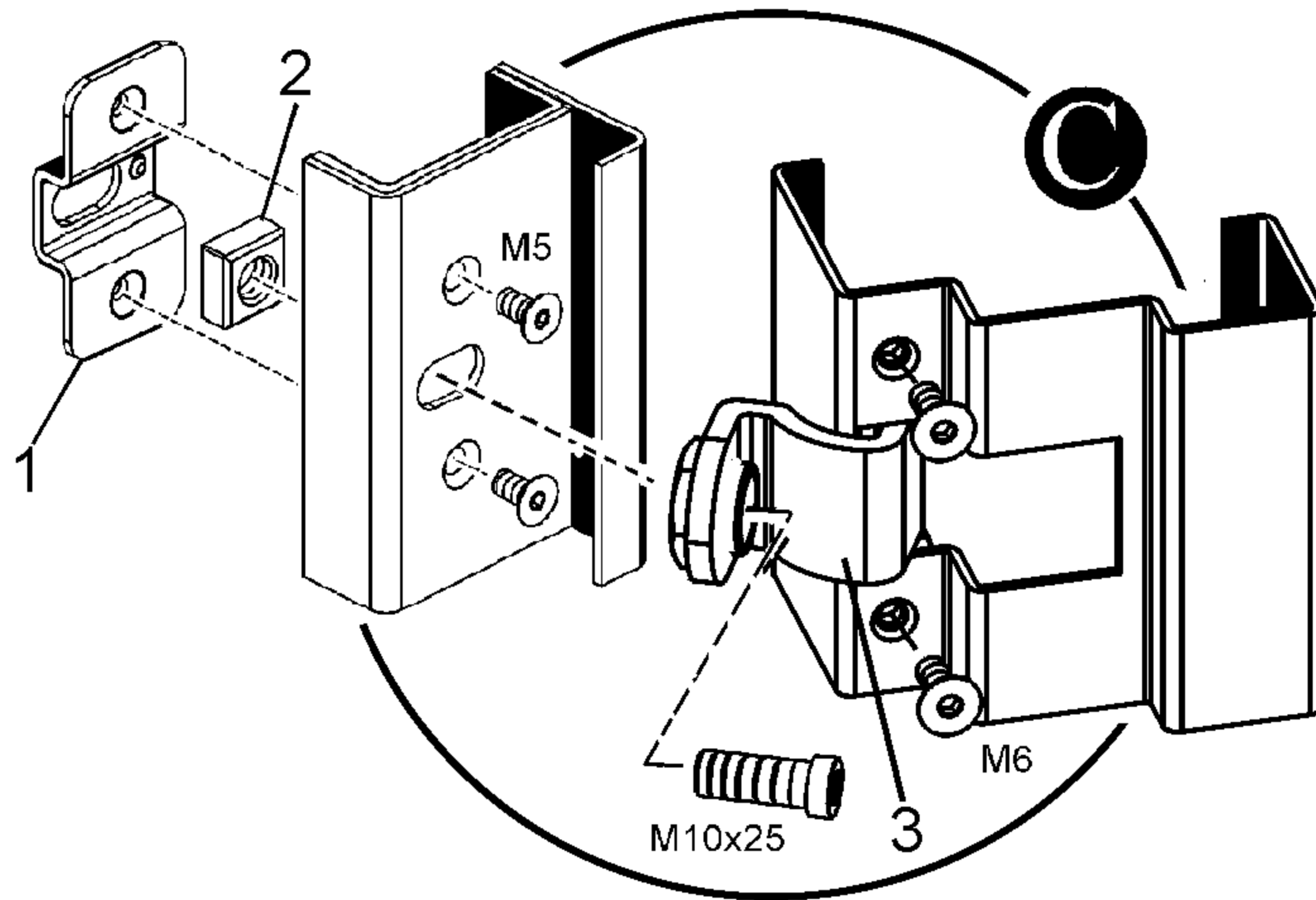


Concealed Hinge 2-D

Mounting instructions

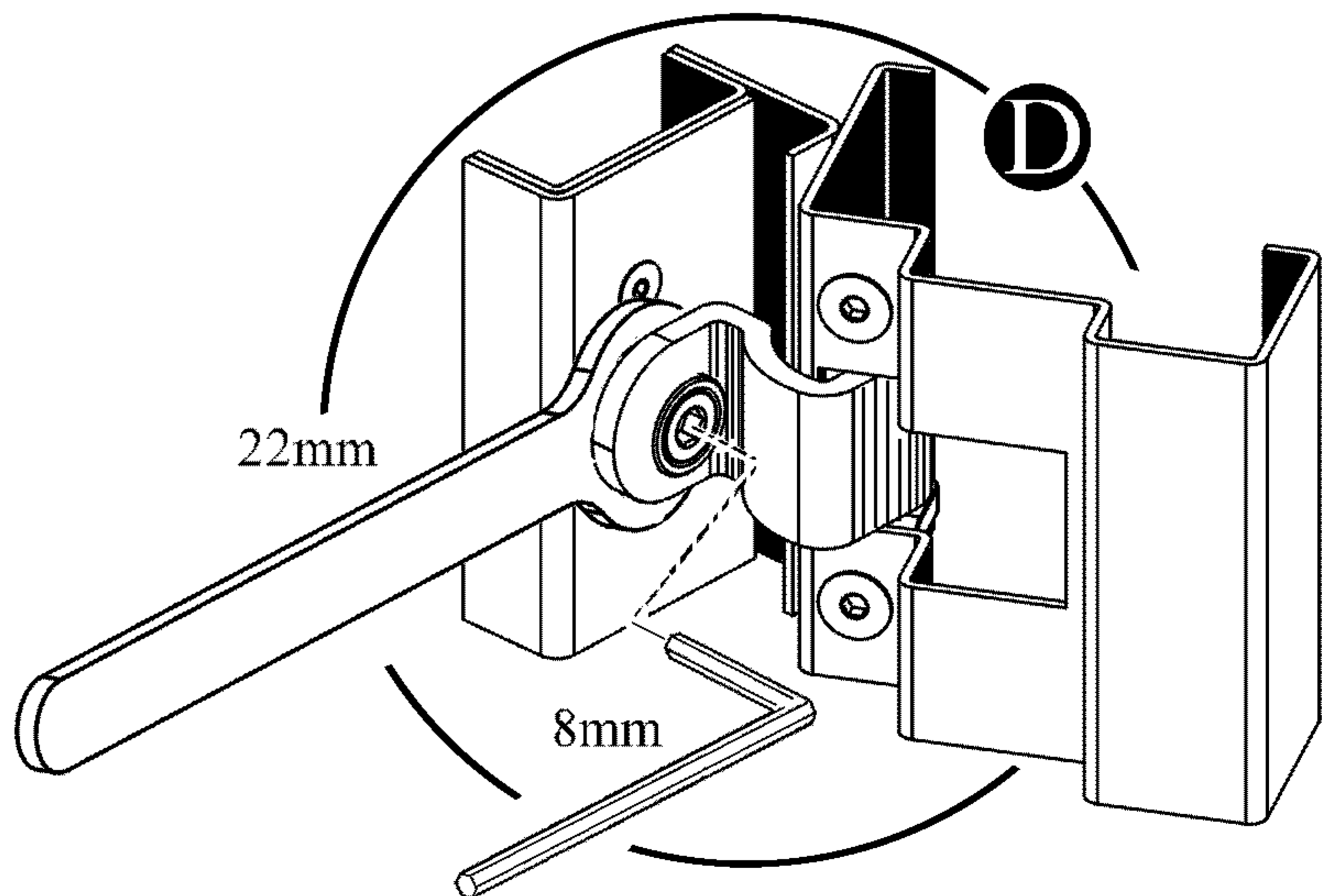


- Concealed hinge 2-D is a universal hinge (left/right)
- Door opening up to 130°
- Capacity- 2 hinges up to 80kg, 3 hinges up to 120kg



Installation instructions:

1. Door – component 2 inside 1, attach both to door and secure with M5 screws.
2. Frame- insert component 3 into the frame and secure with M6 screws.
3. Door to frame- bring the door to the frame and secure with M10*25 screw.



Adjustment instructions:

1. Horizontal-loosen a little M10*25 screw using 8mm key, while holding it adjust hexagon 22 with 22mm key (+5). turn 8mm key till closure.
2. Depth-loosen M10*25 screw using 8mm key, close and press the door till required sealing. open the door and turn 8mm key till closure (+4).